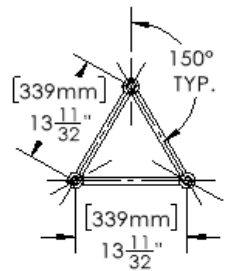
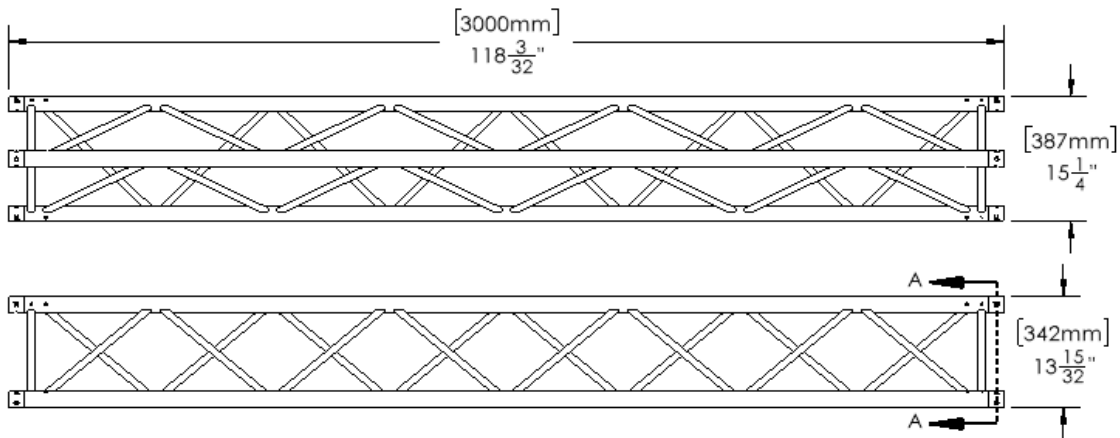


**MAIN CHORDS** OFFERED

- ØExt. 2.0" x 0.125" -> REF.2\_125
- ØExt. 1.9" x 0.145" -> REF.9\_145

Attachement:  
Pin ØM8 / Conical



SECTION A-A

MAIN CHORDS Ø2.0 x 0.125		<b>SIZES</b>		MAIN CHORDS Ø1.9 x 0.145	
WEIGHT Lbs (kg)	ITEMS REFERENCES	Length	ITEMS REFERENCES	WEIGHT Lbs (kg)	
8.6 (4)	TIIT- M4040 -050 C.2_125	<- 0.50 m ->	TIIT- M4040 -050 C.9_145	8.6 (4)	
17 (8)	TIIT- M4040 -100 C.2_125	<- 1.00 m ->	TIIT- M4040 -100 C.9_145	17 (8)	
34 (16)	TIIT- M4040 -200 C.2_125	<- 2.00 m ->	TIIT- M4040 -200 C.9_145	34 (16)	
47 (21)	TIIT- M4040 -300 C.2_125	<- 3.00 m ->	TIIT- M4040 -300 C.9_145	47 (21)	

Other sizes also available in 0.25m / 1.50m / 2.50m

Material: Truss: 6061-T6 / Conical: 6061-T6 / Pin: Stressproof 1144  
**ALL OUR TRUSSES ARE MANUFACTURED BY CERTIFIED WELDERS**



**ALLOWABLE LOAD TABLE :**

Span length	Uniformly Distributed Load				Center point				Third point				Quarter point											
	Load Capacity				Deflection				Load Capacity				Deflection				Load Capacity				Deflection			
	ft	(m)	lb/ft	(kg/m)	lb	(kg)	in	(mm)	lb	(kg)	in	(mm)	lb	(kg)	in	(mm)	lb	(kg)	in	(mm)	lb	(kg)	in	(mm)
9.8	(3)	198	(295)	1952	(886)	0.06	(1.5)	3772	(1711)	0.18	(4.5)	2829	(1283)	0.22	(5.7)	1886	(855)	0.21	(5.3)					
13	(4)	430	(639)	5637	(2557)	0.39	(9.9)	2819	(1279)	0.31	(7.9)	2114	(959)	0.40	(10.1)	1409	(639)	0.37	(9.4)					
16	(5)	274	(407)	4489	(2036)	0.61	(15.4)	2245	(1018)	0.49	(12.4)	1683	(764)	0.62	(15.8)	1122	(509)	0.58	(14.7)					
20	(6)	189	(281)	3720	(1687)	0.88	(22.2)	1860	(844)	0.70	(17.9)	1395	(633)	0.89	(22.7)	930	(422)	0.83	(21.1)					
23	(7)	138	(205)	3167	(1437)	1.19	(30.3)	1584	(718)	0.96	(24.4)	1188	(539)	1.22	(30.9)	792	(359)	1.13	(28.8)					
26	(8)	105	(156)	2750	(1247)	1.56	(39.5)	1375	(624)	1.25	(31.9)	1031	(468)	1.59	(40.4)	687	(312)	1.48	(37.6)					
30	(9)	82	(122)	2423	(1099)	1.97	(50)	1211	(549)	1.59	(40.4)	909	(412)	2.01	(51.1)	606	(275)	1.87	(47.6)					
33	(10)	66	(98)	2159	(979)	2.43	(61.8)	1079	(490)	1.97	(50)	810	(367)	2.48	(63.1)	540	(245)	2.32	(58.8)					
36	(11)	54	(80)	1941	(880)	2.94	(74.7)	970	(440)	2.39	(60.7)	728	(330)	3.00	(76.3)	485	(220)	2.80	(71.2)					
39	(12)	45	(66)	1757	(797)	3.50	(88.9)	878	(398)	2.85	(72.4)	659	(299)	3.57	(90.8)	439	(199)	3.34	(84.8)					
43	(13)	38	(56)	1600	(726)	4.11	(104.4)	800	(363)	3.36	(85.3)	600	(272)	4.19	(106.5)	400	(181)	3.92	(99.6)					
46	(14)	32	(47)	1463	(664)	4.77	(121)	732	(332)	3.91	(99.2)	549	(249)	4.86	(123.5)	366	(166)	4.55	(115.6)					
49	(15)	27	(41)	1344	(610)	5.47	(138.9)	672	(305)	4.5	(114.3)	504	(229)	5.58	(141.7)	336	(152)	5.23	(132.8)					
52	(16)	24	(35)	1238	(561)	6.22	(158.1)	619	(281)	5.14	(130.5)	464	(211)	6.34	(161.1)	309	(140)	5.95	(151.2)					
56	(17)	20	(30)	1143	(518)	7.03	(178.5)	571	(259)	5.826	(148)	428	(194)	7.16	(181.9)	286	(130)	6.73	(170.8)					
59	(18)	18	(27)	1057	(479)	7.88	(200.1)	528	(240)	6.559	(166.6)	396	(180)	8.02	(203.8)	264	(120)	7.55	(191.7)					
62	(19)	16	(23)	979	(444)	8.78	(222.9)	489	(222)	7.341	(186.5)	367	(167)	8.94	(227)	245	(111)	8.42	(213.8)					
66	(20)	14	(21)	908	(412)	9.72	(247)	454	(206)	8.172	(207.6)	340	(154)	9.90	(251.4)	227	(103)	9.34	(237.2)					
<i>Load per applied point</i>																								

**NOTES :**

- Capacities shown in this table are valid for structures manufactured after January 2020.
- Trusses must be loaded uniformly on both sides of their longitudinal axis.
- Loads must be applied to or as close as possible to the nodes of the trusses.
- Deflection of truss is theoretical and based solely on their rigidity.  
It therefore does not take into account of the possible movement between the truss sections due to the tolerance of the pins/bolts.
- Data is valid for indoor use only.
- Trusses are hung from the top chord only.
- Data is valid only for static loads and span, with two support points (one at each end).  
If dynamic loads or more attachment points are needed, **contact Therio Innovation.**

