

MAIN CHORDS Ø2.0 x 0.188			SIZES	MAIN CHORDS Ø1.9 x .200		
WEIGHT Lbs (kg)	ITEMS	REFERENCES	Length	ITEMS	REFERENCES	WEIGHT Lbs (kg)
68 (31)	TII- 3020 -048	F.2_188	<- 48" ->	TII- 3020 -048	F.9_200	68 (31)
84 (38)	TII- 3020 -060	F.2_188	<- 60" ->	TII- 3020 -060	F.9_200	84 (38)
114 (52)	TII- 3020 -096	F.2_188	<- 96" ->	TII- 3020 -096	F.9_200	114 (52)
126 (57)	TII- 3020 -120	F.2_188	<- 120" ->	TII- 3020 -120	F.9_200	126 (57)

Other sizes also available in 24" / 36" / 72" /84"

Material: Truss: 6061-T6 / Spigots: C12L14 / Pin: Stressproof 1144

ALL OUR TRUSSES ARE MANUFACTURED BY CERTIFIED WELDERS

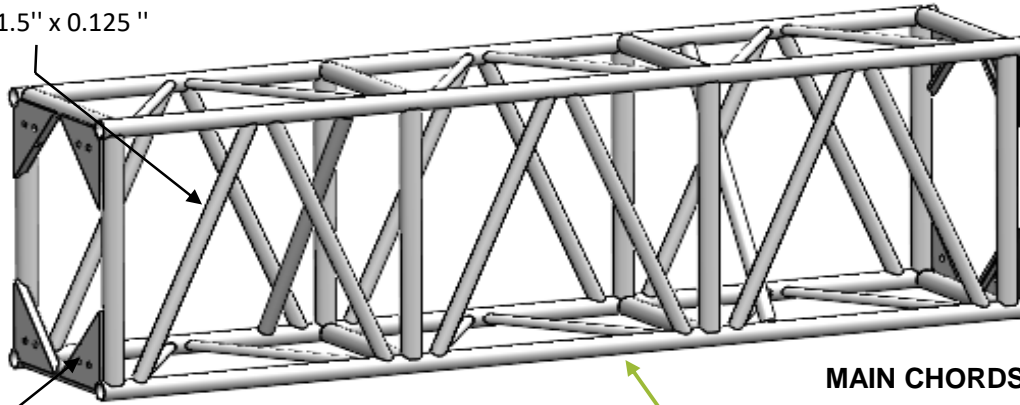
ALLOWABLE LOAD TABLE :

Span length ft (m)	Uniformly Distributed Load				Center point				Third point				Quarter point			
	Load Capacity		Deflection		Load Capacity		Deflection		Load Capacity		Deflection		Load Capacity		Deflection	
	lb/ft (kg/m)	lb (kg)	in (mm)		lb (kg)	in (mm)			lb (kg)	in (mm)			lb (kg)	in (mm)		
8 (2.44)	1594 (2372)	12749 (5783)	0.02 (0.4)		12749 (5783)	0.03 (0.7)			6389 (2898)	0.02 (0.6)			4259 (1932)	0.02 (0.6)		
10 (3.05)	1178 (1753)	11783 (5344)	0.03 (0.8)		11783 (5345)	0.05 (1.3)			5912 (2682)	0.04 (1.1)			3941 (1788)	0.04 (1)		
16 (4.88)	724 (1078)	11591 (5258)	0.13 (3.2)		8376 (3799)	0.15 (3.7)			5847 (2652)	0.17 (4.4)			3898 (1768)	0.16 (4.1)		
20 (6.1)	571 (849)	11416 (5178)	0.24 (6.2)		6650 (3016)	0.23 (5.8)			4987 (2262)	0.29 (7.3)			3325 (1508)	0.27 (6.8)		
24 (7.32)	457 (681)	10978 (4980)	0.41 (10.4)		5489 (2490)	0.33 (8.3)			4117 (1867)	0.42 (10.6)			2745 (1245)	0.39 (9.8)		
30 (9.14)	288 (428)	8629 (3914)	0.64 (16.2)		4314 (1957)	0.52 (13.1)			3236 (1468)	0.65 (16.5)			2157 (978)	0.61 (15.4)		
32 (9.75)	251 (374)	8034 (3644)	0.72 (18.4)		4017 (1822)	0.59 (14.9)			3013 (1367)	0.74 (18.8)			2008 (911)	0.69 (17.5)		
40 (12.19)	156 (231)	6222 (2822)	1.13 (28.8)		3111 (1411)	0.92 (23.5)			2333 (1058)	1.16 (29.3)			1555 (706)	1.08 (27.4)		
48 (14.63)	104 (154)	4976 (2257)	1.63 (41.4)		2488 (1128)	1.34 (34.1)			1866 (846)	1.66 (42.2)			1244 (564)	1.56 (39.6)		
50 (15.24)	94 (141)	4721 (2141)	1.77 (44.9)		2360 (1071)	1.46 (37.1)			1770 (803)	1.80 (45.8)			1180 (535)	1.69 (43)		
<i>Load per applied point</i>																

NOTES :

- Capacities shown in this table are valid for structures manufactured after January 2020.
- Trusses must be loaded uniformly on both sides of their longitudinal axis.
- Loads must be applied to or as close as possible to the nodes of the trusses.
- Deflection of truss is theoretical and based solely on their rigidity.
It therefore does not take into account of the possible movement between the truss sections due to the tolerance of the pins/bolts.
- Datas are valid for indoor use only.
- Trusses are hung from the top chord only.
- Data are valid only for static loads and span, with two support points (one at each end).
If dynamic loads or more attachment points are needed, **contact Therio Innovation.**

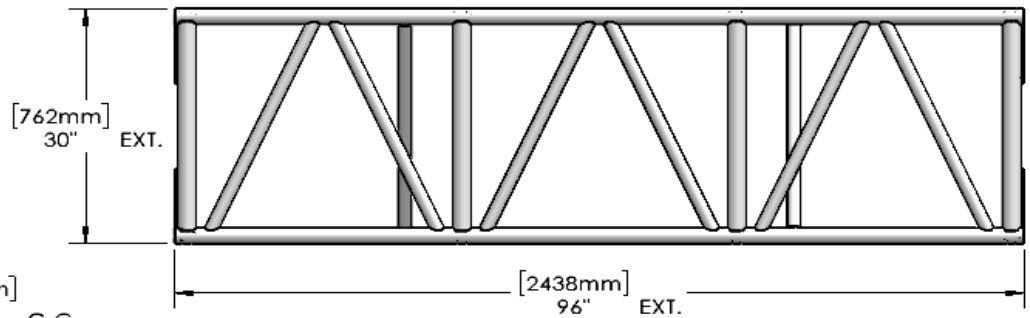
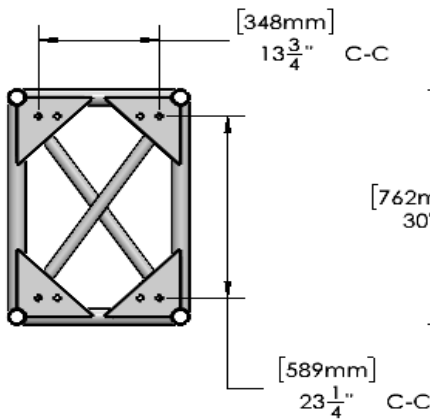
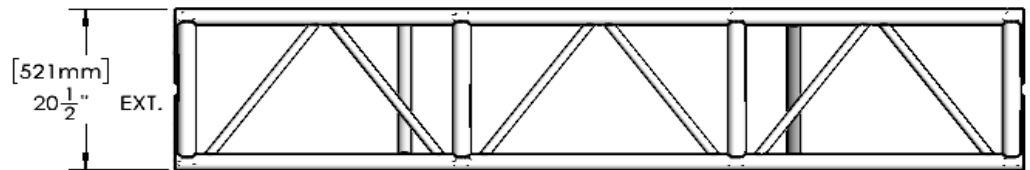
DIAGONALS
ØEXT. 1.5" x 0.125 "



MAIN CHORDS OFFERED

ØExt. 2.0" x 0.125" -> REF.2_125
ØExt. 1.9" x 0.145" -> REF.9_145

Attachement:
Bolts Ø0.625 Grade 8 /
Plated



MAIN CHORDS Ø2.0 x 0.125

SIZES

MAIN CHORDS Ø1.9 x 0.145

WEIGHT Lbs (kg)	ITEMS REFERENCES	Length	ITEMS REFERENCES	WEIGHT Lbs (kg)
55 (25)	TII- 3020 -048 P.2_125	<- 48" ->	TII- 3020 -048 P.9_145	55 (25)
69 (31)	TII- 3020 -060 P.2_125	<- 60" ->	TII- 3020 -060 P.9_145	69 (31)
95 (43)	TII- 3020 -096 P.2_125	<- 96" ->	TII- 3020 -096 P.9_145	95 (43)
109 (49)	TII- 3020 -120 P.2_125	<- 120" ->	TII- 3020 -120 P.9_145	109 (49)

Other sizes also available in 24" / 36" / 72" /84"

Material: Truss & Plates: 6061-T6 / Bolts : Ø0.625 Grade 8

ALL OUR TRUSSES ARE MANUFACTURED BY CERTIFIED WELDERS

Tel : 514-400-3336

info@therioinnovation.com

ALLOWABLE LOAD TABLE :

Span length ft (m)	Uniformly Distributed Load				Center point				Third point				Quarter point			
	Load Capacity		Deflection		Load Capacity		Deflection		Load Capacity		Deflection		Load Capacity		Deflection	
lb/ft (kg/m)	lb (kg)	in (mm)		lb (kg)	in (mm)	lb (kg)	in (mm)	lb (kg)	in (mm)	lb (kg)	in (mm)	lb (kg)	in (mm)	lb (kg)	in (mm)	
8 (2.44)	785 (1169)	6283 (2850)	0.01 (0.3)	6360 (2885)	0.02 (0.5)	3181 (1443)	0.02 (0.4)	2121 (962)	0.02 (0.4)							
10 (3.05)	580 (863)	5797 (2629)	0.02 (0.6)	5886 (2670)	0.04 (0.9)	2945 (1336)	0.03 (0.8)	1963 (891)	0.03 (0.7)							
16 (4.88)	356 (530)	5697 (2584)	0.09 (2.3)	5311 (2409)	0.13 (3.4)	2925 (1327)	0.13 (3.2)	1950 (885)	0.12 (3)							
20 (6.1)	281 (418)	5621 (2550)	0.18 (4.5)	4658 (2113)	0.23 (5.9)	2853 (1294)	0.24 (6.1)	1902 (863)	0.23 (5.7)							
24 (7.32)	231 (343)	5538 (2512)	0.30 (7.7)	3855 (1748)	0.34 (8.6)	2602 (1180)	0.39 (9.8)	1735 (787)	0.36 (9.1)							
30 (9.14)	176 (261)	5269 (2390)	0.57 (14.6)	3020 (1370)	0.53 (13.4)	2261 (1025)	0.66 (16.9)	1507 (684)	0.62 (15.8)							
32 (9.75)	159 (236)	5074 (2301)	0.67 (17.1)	2808 (1274)	0.60 (15.3)	2106 (955)	0.76 (19.2)	1404 (637)	0.71 (18)							
40 (12.19)	108 (161)	4322 (1960)	1.16 (29.4)	2161 (980)	0.95 (24.1)	1621 (735)	1.18 (30)	1080 (490)	1.11 (28.1)							
48 (14.63)	71 (106)	3427 (1555)	1.67 (42.4)	1714 (777)	1.38 (35.1)	1285 (583)	1.70 (43.2)	857 (389)	1.60 (40.6)							
50 (15.24)	65 (97)	3244 (1471)	1.81 (46)	1622 (736)	1.50 (38.2)	1216 (552)	1.85 (46.9)	811 (368)	1.73 (44.1)							
<i>Load per applied point</i>																

NOTES :

- Capacities shown in this table are valid for structures manufactured after January 2020.
- Trusses must be loaded uniformly on both sides of their longitudinal axis.
- Loads must be applied to or as close as possible to the nodes of the trusses.
- Deflection of truss is theoretical and based solely on their rigidity.
It therefore does not take into account of the possible movement between the truss sections due to the tolerance of the pins/bolts.
- Datas are valid for indoor use only.
- Trusses are hung from the top chord only.
- Data are valid only for static loads and span, with two support points (one at each end).
If dynamic loads or more attachment points are needed, **contact Therio Innovation.**