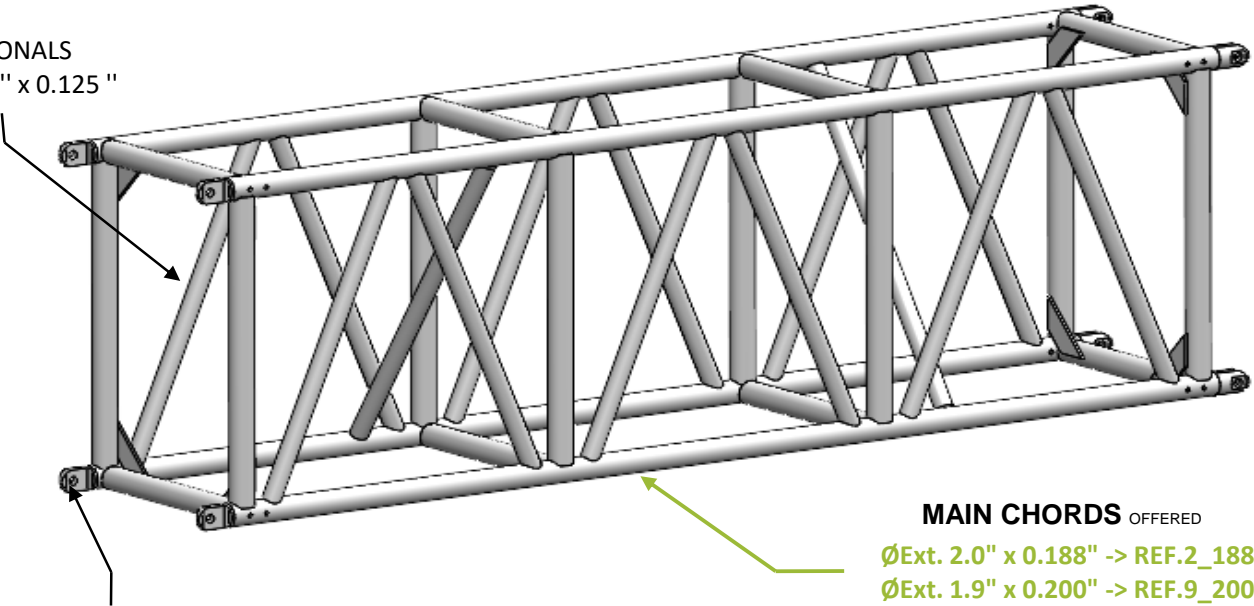


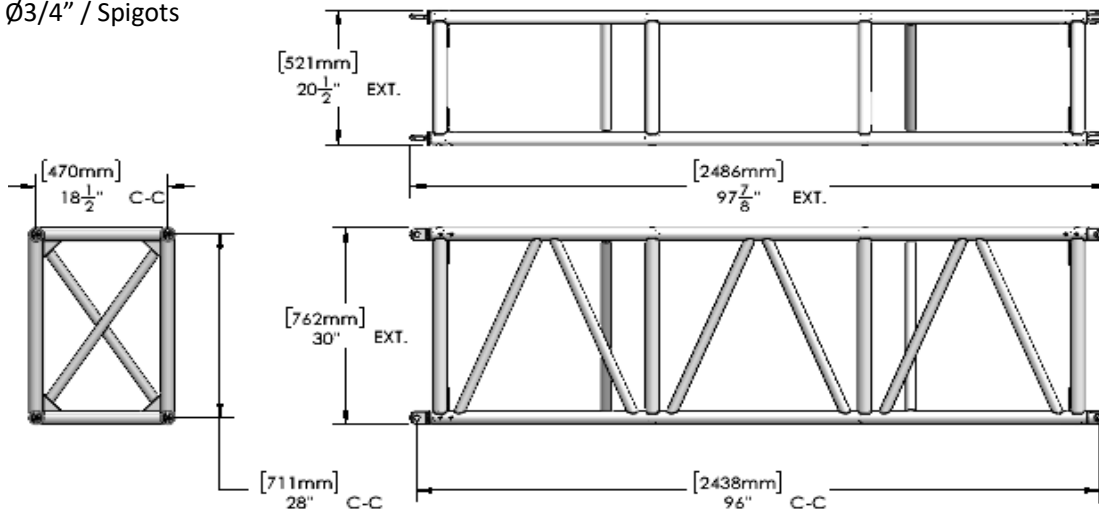
DIAGONALS
ØEXT. 1.5" x 0.125 "



Attachement:
Pin Ø3/4" / Spigots

MAIN CHORDS OFFERED

ØExt. 2.0" x 0.188" -> REF.2_188
ØExt. 1.9" x 0.200" -> REF.9_200



MAIN CHORDS Ø2.0 x 0.188

SIZES

MAIN CHORDS Ø1.9 x .200

WEIGHT Lbs (kg)	ITEMS REFERENCES	Length	ITEMS REFERENCES	WEIGHT Lbs (kg)
65 (29)	TIP- 3020 -048 F.2_188	<- 48" ->	TIP- 3020 -048 F.9_200	65 (29)
79 (36)	TIP- 3020 -060 F.2_188	<- 60" ->	TIP- 3020 -060 F.9_200	79 (36)
106 (48)	TIP- 3020 -096 F.2_188	<- 96" ->	TIP- 3020 -096 F.9_200	106 (48)
117 (53)	TIP- 3020 -120 F.2_188	<- 120" ->	TIP- 3020 -120 F.9_200	117 (53)

Other sizes also available in 24" / 36" / 72" /84"

Material: Truss: 6061-T6 / Spigots: C12L14 / Pin: Stressproof 1144

ALL OUR TRUSSES ARE MANUFACTURED BY CERTIFIED WELDERS

Tel : 514-400-3336

info@therioinnovation.com

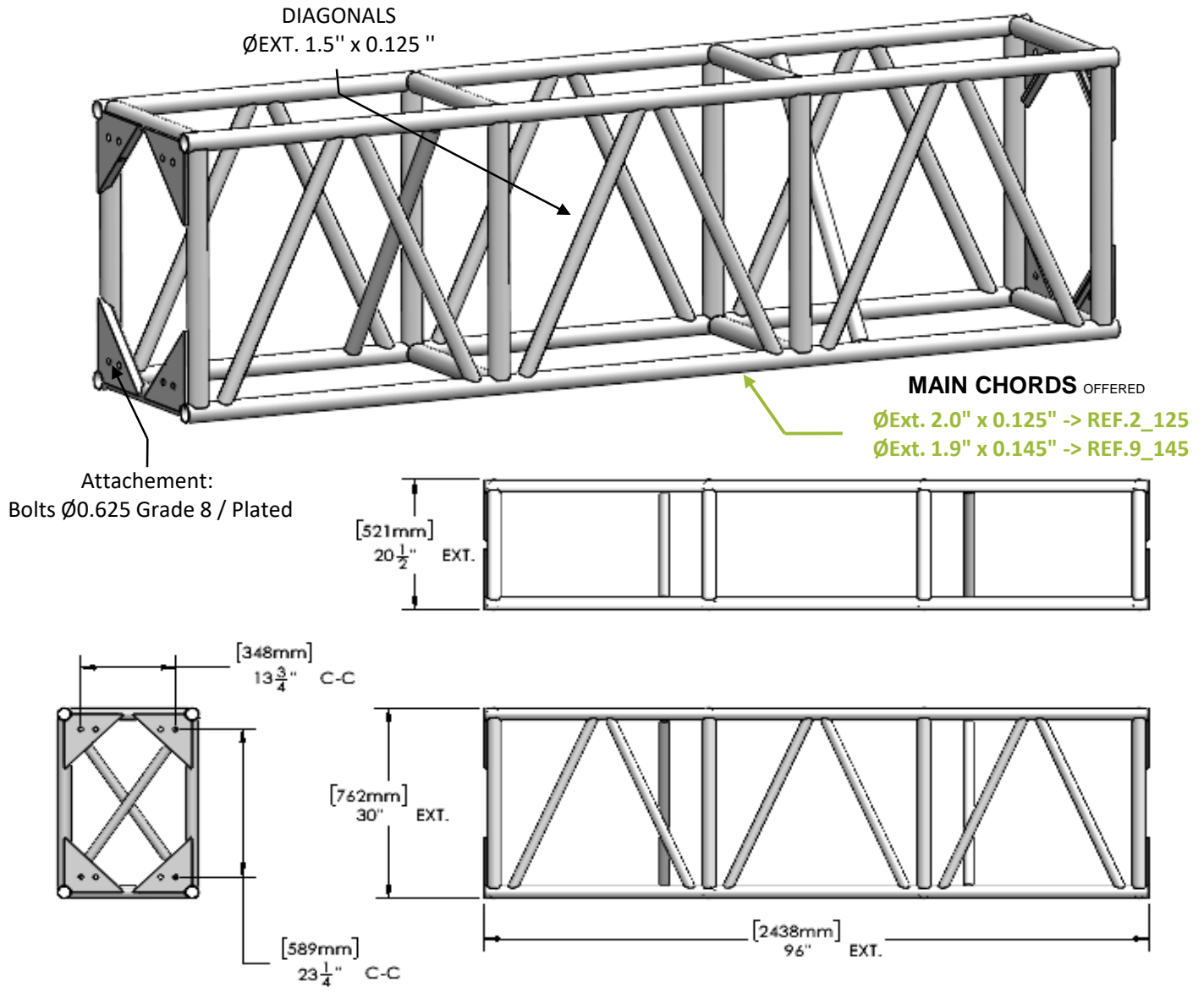
ALLOWABLE LOAD TABLE :

Span length ft (m)	Uniformly Distributed Load				Center point				Third point				Quarter point			
	Load Capacity		Deflection		Load Capacity		Deflection		Load Capacity		Deflection		Load Capacity		Deflection	
lb/ft (kg/m) lb (kg)	lb (kg)	in (mm)	lb (kg)	in (mm)	lb (kg)	in (mm)	lb (kg)	in (mm)	lb (kg)	in (mm)	lb (kg)	in (mm)	lb (kg)	in (mm)		
8 (2.44)	1594 (2373)	12755 (5786)	0.02 (0.4)		12755 (5786)	0.03 (0.7)			6391 (2899)	0.02 (0.6)			4261 (1933)	0.02 (0.6)		
10 (3.05)	1179 (1755)	11791 (5348)	0.03 (0.8)		11791 (5349)	0.05 (1.3)			5915 (2683)	0.04 (1.1)			3943 (1789)	0.04 (1)		
16 (4.88)	726 (1080)	11613 (5268)	0.13 (3.2)		8384 (3803)	0.15 (3.7)			5855 (2656)	0.17 (4.4)			3903 (1770)	0.16 (4.1)		
20 (6.1)	573 (852)	11450 (5194)	0.24 (6.2)		6660 (3021)	0.23 (5.8)			4995 (2266)	0.29 (7.3)			3330 (1510)	0.27 (6.8)		
24 (7.32)	458 (682)	11002 (4991)	0.41 (10.4)		5501 (2495)	0.33 (8.3)			4126 (1871)	0.42 (10.6)			2751 (1248)	0.39 (9.8)		
30 (9.14)	289 (430)	8659 (3927)	0.64 (16.2)		4329 (1964)	0.52 (13.1)			3247 (1473)	0.65 (16.5)			2165 (982)	0.61 (15.4)		
32 (9.75)	252 (375)	8066 (3659)	0.72 (18.4)		4033 (1829)	0.59 (14.9)			3025 (1372)	0.74 (18.8)			2017 (915)	0.69 (17.5)		
40 (12.19)	157 (233)	6262 (2840)	1.13 (28.8)		3131 (1420)	0.92 (23.5)			2348 (1065)	1.16 (29.3)			1565 (710)	1.08 (27.4)		
48 (14.63)	105 (156)	5024 (2279)	1.63 (41.4)		2512 (1139)	1.34 (34.1)			1884 (855)	1.66 (42.2)			1256 (570)	1.56 (39.6)		
50 (15.24)	95 (142)	4771 (2164)	1.77 (44.9)		2385 (1082)	1.46 (37)			1789 (812)	1.80 (45.8)			1193 (541)	1.69 (43)		

Load per applied point

NOTES :

- Capacities shown in this table are valid for structures manufactured after January 2020.
- Trusses must be loaded uniformly on both sides of their longitudinal axis.
- Loads must be applied to or as close as possible to the nodes of the trusses.
- Deflection of truss is theoretical and based solely on their rigidity.
It therefore does not take into account of the possible movement between the truss sections due to the tolerance of the pins/bolts.
- Datas are valid for indoor use only.
- Trusses are hung from the top chord only.
- Data are valid only for static loads and span, with two support points (one at each end).
If dynamic loads or more attachment points are needed, **contact Therio Innovation.**



MAIN CHORDS Ø2.0 x 0.125				SIZES	MAIN CHORDS Ø1.9 x 0.145			
WEIGHT Lbs (kg)	ITEMS	REFERENCES	Length		ITEMS	REFERENCES	WEIGHT Lbs (kg)	
52 (24)	TIP-	3020 -048	P.2_125	<- 48" ->	TIP-	3020 -048	P.9_145	52 (24)
64 (29)	TIP-	3020 -060	P.2_125	<- 60" ->	TIP-	3020 -060	P.9_145	64 (29)
87 (39)	TIP-	3020 -096	P.2_125	<- 96" ->	TIP-	3020 -096	P.9_145	87 (39)
95 (43)	TIP-	3020 -120	P.2_125	<- 120" ->	TIP-	3020 -120	P.9_145	95 (43)

Other sizes also available in 24" / 36" / 72" / 84"

Material: Truss & Plates: 6061-T6 / Bolts : Ø0.625 Grade 8

ALL OUR TRUSSES ARE MANUFACTURED BY CERTIFIED WELDERS

ALLOWABLE LOAD TABLE :

Span length	Uniformly Distributed Load					Center point		Third point		Quarter point			
	Load Capacity		Deflection		Load Capacity	Deflection	Load Capacity	Deflection	Load Capacity		Deflection		
ft (m)	lb/ft (kg/m)	lb (kg)	in (mm)	in (mm)	lb (kg)	in (mm)	lb (kg)	in (mm)	lb (kg)	in (mm)	lb (kg)	in (mm)	
8 (2.44)	787 (1171)	6294 (2855)	0.01 (0.3)		6365 (2887)	0.02 (0.5)	3183 (1444)	0.02 (0.4)	2122 (963)	0.02 (0.4)			
10 (3.05)	581 (864)	5809 (2635)	0.02 (0.6)		5890 (2672)	0.04 (0.9)	2947 (1337)	0.03 (0.8)	1965 (891)	0.03 (0.7)			
16 (4.88)	357 (532)	5717 (2593)	0.09 (2.3)		5323 (2414)	0.13 (3.4)	2929 (1329)	0.13 (3.2)	1953 (886)	0.12 (3)			
20 (6.1)	282 (420)	5648 (2562)	0.18 (4.5)		4672 (2119)	0.23 (5.9)	2862 (1298)	0.24 (6.2)	1908 (865)	0.23 (5.7)			
24 (7.32)	232 (345)	5571 (2527)	0.30 (7.7)		3867 (1754)	0.34 (8.5)	2613 (1185)	0.39 (9.8)	1742 (790)	0.36 (9.1)			
30 (9.14)	177 (263)	5299 (2404)	0.57 (14.6)		3035 (1377)	0.53 (13.4)	2274 (1031)	0.67 (16.9)	1516 (688)	0.62 (15.8)			
32 (9.75)	160 (237)	5106 (2316)	0.67 (17.1)		2824 (1281)	0.60 (15.3)	2118 (961)	0.76 (19.2)	1412 (641)	0.71 (18)			
40 (12.19)	109 (162)	4363 (1979)	1.16 (29.4)		2181 (989)	0.95 (24.1)	1636 (742)	1.18 (30)	1091 (495)	1.11 (28.1)			
48 (14.63)	72 (108)	3476 (1577)	1.67 (42.4)		1738 (788)	1.38 (35)	1304 (591)	1.70 (43.2)	869 (394)	1.60 (40.6)			
50 (15.24)	66 (98)	3295 (1494)	1.81 (46)		1647 (747)	1.50 (38.1)	1235 (560)	1.85 (46.9)	824 (374)	1.73 (44)			

Load per applied point

NOTES :

- Capacities shown in this table are valid for structures manufactured after January 2020.
- Trusses must be loaded uniformly on both sides of their longitudinal axis.
- Loads must be applied to or as close as possible to the nodes of the trusses.
- Deflection of truss is theoretical and based solely on their rigidity.
It therefore does not take into account of the possible movement between the truss sections due to the tolerance of the pins/bolts.
- Datas are valid for indoor use only.
- Trusses are hung from the top chord only.
- Data are valid only for static loads and span, with two support points (one at each end).
If dynamic loads or more attachment points are needed, **contact Therio Innovation.**