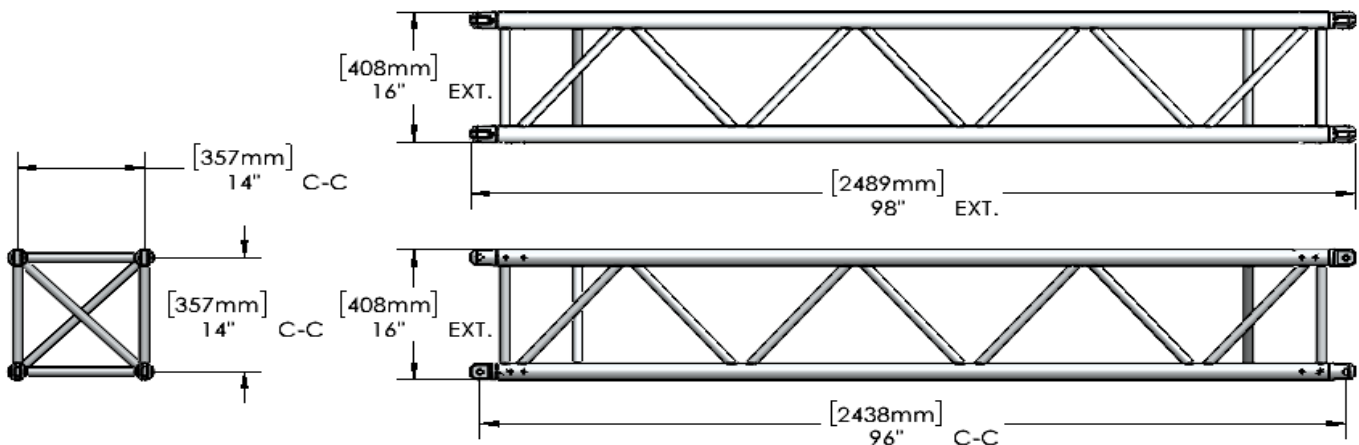


Attachement:
Pin Ø5/8" / Spigots



| MAIN CHORDS Ø2.0 x 0.125 | | SIZES | MAIN CHORDS Ø1.9 x 0.145 | |
|--------------------------|------------------------|--------------|--------------------------|--------------------|
| WEIGHT Lbs (kg) | ITEMS REFERENCES | Length | ITEMS REFERENCES | WEIGHT Lbs (kg) |
| 35 (16) | TII- 1616 -048 F.2_125 | <- 48" -> | TII- 1616 -048 F.9_145 | 35 (16) |
| 40 (18) | TII- 1616 -060 F.2_125 | <- 60" -> | TII- 1616 -060 F.9_145 | 40 (18) |
| 57 (26) | TII- 1616 -096 F.2_125 | <- 96" -> | TII- 1616 -096 F.9_145 | 57 (26) |
| 67 (30) | TII- 1616 -120 F.2_125 | <- 120" -> | TII- 1616 -120 F.9_145 | 67 (30) |





Other sizes also available in 24" / 36" / 72" / 84"

Material: Truss: 6061-T6 / Spigots: 6061-T6 / Pin: Stressproof 1144

ALL OUR TRUSSES ARE MANUFACTURED BY CERTIFIED WELDERS



ALLOWABLE LOAD TABLE :

| Span length ft (m) | Uniformly Distributed Load | | | | Center point | | | | Third point | | | | Quarter point | | | |
|-------------------------------|---|-------------|-------------|-------------|--|-------------|-------------|-------------|---|---------|------------|---------|---|---------|------------|--|
| |  | | | |  | | | |  | | | |  | | | |
| | Load Capacity | | Deflection | | Load Capacity | | Deflection | | Load Capacity | | Deflection | | Load Capacity | | Deflection | |
| lb/ft (kg/m) | lb (kg) | in (mm) | lb (kg) | in (mm) | lb (kg) | in (mm) | lb (kg) | in (mm) | lb (kg) | in (mm) | lb (kg) | in (mm) | lb (kg) | in (mm) | | |
| 8 (2.44) | 857 (1276) | 6859 (3111) | 0.05 (1.3) | 5642 (2559) | 0.07 (1.8) | 3441 (1561) | 0.07 (1.8) | 2294 (1040) | 0.07 (1.7) | | | | | | | |
| 10 (3.05) | 638 (950) | 6383 (2895) | 0.10 (2.4) | 4501 (2041) | 0.11 (2.7) | 3208 (1455) | 0.13 (3.3) | 2139 (970) | 0.12 (3.1) | | | | | | | |
| 16 (4.88) | 347 (517) | 5556 (2520) | 0.35 (8.8) | 2778 (1260) | 0.28 (7.1) | 2084 (945) | 0.35 (9) | 1389 (630) | 0.33 (8.3) | | | | | | | |
| 20 (6.1) | 220 (327) | 4394 (1993) | 0.54 (13.7) | 2197 (996) | 0.44 (11.1) | 1648 (747) | 0.55 (14) | 1098 (498) | 0.51 (13) | | | | | | | |
| 24 (7.32) | 150 (224) | 3609 (1637) | 0.78 (19.7) | 1805 (819) | 0.63 (16) | 1353 (614) | 0.79 (20.2) | 902 (409) | 0.74 (18.8) | | | | | | | |
| 30 (9.14) | 94 (139) | 2810 (1275) | 1.21 (30.8) | 1405 (637) | 0.99 (25.1) | 1054 (478) | 1.24 (31.5) | 703 (319) | 1.16 (29.4) | | | | | | | |
| 32 (9.75) | 81 (121) | 2607 (1182) | 1.38 (35.1) | 1303 (591) | 1.13 (28.6) | 978 (443) | 1.41 (35.8) | 652 (296) | 1.32 (33.5) | | | | | | | |
| 40 (12.19) | 50 (74) | 1983 (899) | 2.16 (54.8) | 991 (450) | 1.78 (45.2) | 744 (337) | 2.20 (55.9) | 496 (225) | 2.06 (52.4) | | | | | | | |
| 48 (14.63) | 32 (48) | 1548 (702) | 3.11 (78.9) | 774 (351) | 2.60 (66) | 580 (263) | 3.16 (80.4) | 387 (176) | 2.98 (75.7) | | | | | | | |
| 50 (15.24) | 29 (43) | 1458 (661) | 3.37 (85.7) | 729 (331) | 2.83 (71.9) | 547 (248) | 3.43 (87.2) | 364 (165) | 3.24 (82.2) | | | | | | | |
| <i>Load per applied point</i> | | | | | | | | | | | | | | | | |

NOTES :

- Capacities shown in this table are valid for structures manufactured after January 2020.
- Trusses must be loaded uniformly on both sides of their longitudinal axis.
- Loads must be applied to or as close as possible to the nodes of the trusses.
- Deflection of truss is theoretical and based solely on their rigidity.
It therefore does not take into account of the possible movement between the truss sections due to the tolerance of the pins/bolts.
- Datas are valid for indoor use only.
- Trusses are hung from the top chord only.
- Data are valid only for static loads and span, with two support points (one at each end).
If dynamic loads or more attachment points are needed, **contact Therio Innovation.**