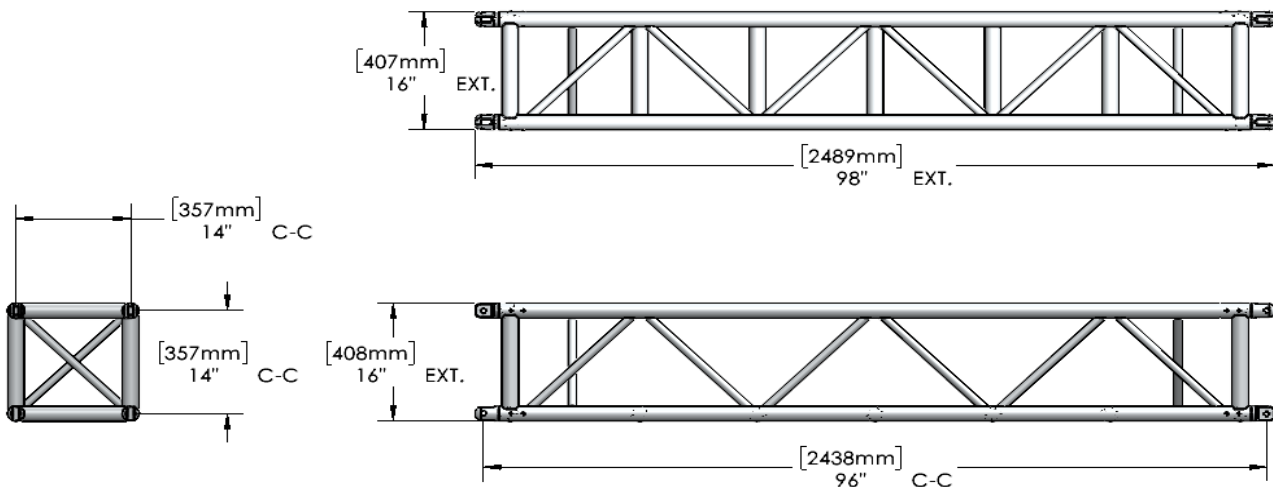


Attachement:  
Pin Ø5/8" / Spigots



**MAIN CHORDS Ø2.0 x 0.188**

**SIZES**

**MAIN CHORDS Ø1.9 x .200**

WEIGHT Lbs (kg)	ITEMS REFERENCES	Length	ITEMS REFERENCES	WEIGHT Lbs (kg)
45 (20)	TIT- 1616 -048 F.2_188	<- 48" ->	TIT- 1616 -048 F.9_200	45 (20)
51 (23)	TIT- 1616 -060 F.2_188	<- 60" ->	TIT- 1616 -060 F.9_200	51 (23)
72 (33)	TIT- 1616 -096 F.2_188	<- 96" ->	TIT- 1616 -096 F.9_200	72 (33)
87 (39)	TIT- 1616 -120 F.2_188	<- 120" ->	TIT- 1616 -120 F.9_200	87 (39)

Other sizes also available in 24" / 36" / 72" / 84"

Material: Truss: 6061-T6 / Spigots: 6061-T6 / Pin: Stressproof 1144

ALL OUR TRUSSES ARE MANUFACTURED BY CERTIFIED WELDERS



**ALLOWABLE LOAD TABLE :**

Span length	Uniformly Distributed Load				Center point				Third point				Quarter point					
	Load Capacity		Deflection		Load Capacity		Deflection		Load Capacity		Deflection		Load Capacity		Deflection			
	lb/ft	(kg/m)	lb	(kg)	in	(mm)	lb	(kg)	in	(mm)	lb	(kg)	in	(mm)	lb	(kg)	in	(mm)
8 (2.44)	778	(1158)	6228	(2825)	0.03	(0.8)	6228	(2825)	0.05	(1.3)	3123	(1416)	0.05	(1.1)	2082	(944)	0.04	(1.1)
10 (3.05)	640	(952)	6400	(2903)	0.07	(1.7)	6400	(2903)	0.11	(2.7)	3214	(1458)	0.09	(2.3)	2143	(972)	0.08	(2.1)
16 (4.88)	380	(565)	6072	(2754)	0.26	(6.6)	4192	(1902)	0.29	(7.3)	3070	(1392)	0.36	(9.1)	2047	(928)	0.33	(8.5)
20 (6.1)	308	(458)	6152	(2790)	0.52	(13.2)	3322	(1507)	0.45	(11.5)	2491	(1130)	0.57	(14.5)	1661	(753)	0.53	(13.5)
24 (7.32)	228	(339)	5470	(2481)	0.81	(20.5)	2735	(1241)	0.65	(16.5)	2051	(931)	0.82	(20.9)	1368	(620)	0.77	(19.5)
30 (9.14)	143	(212)	4280	(1941)	1.26	(32)	2140	(971)	1.02	(26)	1605	(728)	1.29	(32.7)	1070	(485)	1.20	(30.5)
32 (9.75)	124	(185)	3977	(1804)	1.43	(36.4)	1989	(902)	1.17	(29.6)	1492	(677)	1.46	(37.2)	994	(451)	1.37	(34.7)
40 (12.19)	76	(114)	3053	(1385)	2.24	(56.9)	1526	(692)	1.84	(46.7)	1145	(519)	2.28	(58)	763	(346)	2.14	(54.4)
48 (14.63)	50	(75)	2413	(1094)	3.23	(81.9)	1206	(547)	2.68	(68)	905	(410)	3.29	(83.5)	603	(274)	3.09	(78.5)
50 (15.24)	46	(68)	2281	(1035)	3.50	(88.9)	1141	(517)	2.92	(74)	855	(388)	3.57	(90.6)	570	(259)	3.35	(85.2)

*Load per applied point*

**NOTES :**

- Capacities shown in this table are valid for structures manufactured after January 2020.
- Trusses must be loaded uniformly on both sides of their longitudinal axis.
- Loads must be applied to or as close as possible to the nodes of the trusses.
- Deflection of truss is theoretical and based solely on their rigidity.  
It therefore does not take into account of the possible movement between the truss sections due to the tolerance of the pins/bolts.
- Datas are valid for indoor use only.
- Trusses are hung from the top chord only.
- Data are valid only for static loads and span, with two support points (one at each end).  
If dynamic loads or more attachment points are needed, **contact Therio Innovation.**