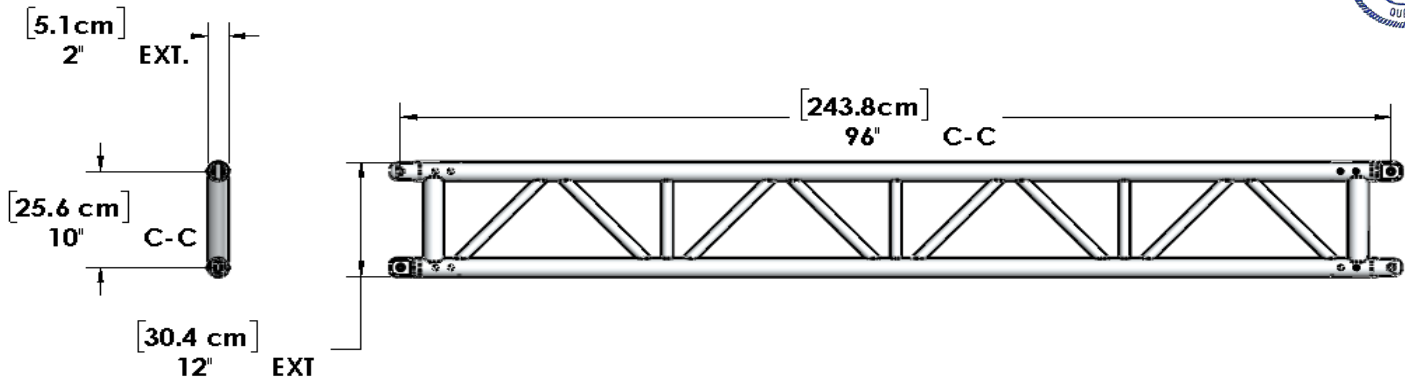


2020-06-15



**MAIN CORD  $\varnothing$ EXT. 2.0" x 0.125"**

**SIZES**

**MAIN CORD  $\varnothing$ EXT. 1.9" x 0.145"**

WEIGHT Lbs (kg)	ITEMS	REFERENCES	Length	ITEMS	REFERENCES	WEIGHT Lbs (kg)
15 (7)	ACC-LA-	12 - 48	F.2_125 ← 48" →	ACC-LA-	12 - 48	F.9_145 15 (7)
17 (8)	ACC-LA-	12 - 60	F.2_125 ← 60" →	ACC-LA-	12 - 60	F.9_145 17 (8)
24 (11)	ACC-LA-	12 - 96	F.2_125 ← 96" →	ACC-LA-	12 - 96	F.9_145 24 (11)
29 (13)	ACC-LA-	12 - 120	F.2_125 ← 120" →	ACC-LA-	12 - 120	F.9_145 29 (13)

Other sizes also available in 24" / 36" / 72" / 84"

MATERIAL Truss & Spigots: extruded aluminum 6061-T6 / Pin: 1144 Stressproof

ALL OUR TRUSSES ARE MANUFACTURED BY CERTIFIED WELDERS



**ALLOWABLE LOAD TABLE :**

Span length	Uniformly Distributed Load				Center point				Third point				Quarter point			
	Load Capacity		Deflection		Load Capacity		Deflection		Load Capacity		Deflection		Load Capacity		Deflection	
ft (m)	lb/ft (kg/m)	lb (kg)	in (mm)	in (mm)	lb (kg)	in (mm)	in (mm)	lb (kg)	in (mm)	lb (kg)	in (mm)	lb (kg)	in (mm)	lb (kg)	in (mm)	
8 (2.44)	434 (646)	3472 (1575)	0.10 (2.4)		2016 (915)	0.09 (2.2)		1512 (686)	0.11 (2.9)			1008 (457)	0.11 (2.7)			
10 (3.05)	321 (478)	3215 (1458)	0.17 (4.4)		1607 (729)	0.14 (3.5)		1206 (547)	0.18 (4.5)			804 (365)	0.16 (4.2)			
16 (4.88)	124 (184)	1980 (898)	0.44 (11.2)		990 (449)	0.36 (9)		742 (337)	0.45 (11.5)			495 (224)	0.42 (10.7)			
20 (6.1)	78 (116)	1562 (708)	0.69 (17.5)		781 (354)	0.56 (14.2)		586 (266)	0.71 (17.9)			390 (177)	0.66 (16.7)			
24 (7.32)	53 (79)	1279 (580)	0.99 (25.3)		639 (290)	0.81 (20.5)		480 (218)	1.02 (25.8)			320 (145)	0.95 (24.1)			
30 (9.14)	33 (49)	990.2 (449)	1.55 (39.5)		495 (225)	1.27 (32.2)		371 (168)	1.59 (40.3)			248 (112)	1.48 (37.7)			
32 (9.75)	29 (43)	916.5 (416)	1.77 (44.9)		458 (208)	1.45 (36.8)		344 (156)	1.80 (45.8)			229 (104)	1.69 (42.9)			
40 (12.19)	17 (26)	689.2 (313)	2.76 (70.2)		345 (156)	2.29 (58.2)		258 (117)	2.81 (71.5)			172 (78)	2.65 (67.2)			
<i>Load per applied point</i>																

**NOTES :**

- Capacities shown in this table are valid for structures manufactured after January 2020.
- Trusses must be loaded uniformly on both sides of their longitudinal axis.
- Loads must be applied to or as close as possible to the nodes of the trusses.
- Deflection of truss is theoretical and based solely on their rigidity.  
It therefore does not take into account of the possible movement between the truss sections due to the tolerance of the pins.
- Datas are valid for indoor use only.
- Trusses are hung from the top chord only.
- Data are valid only for static loads and span, with two support points (one at each end).  
If dynamic loads or more attachment points are needed, contact Therio Innovation.



2020-06-15