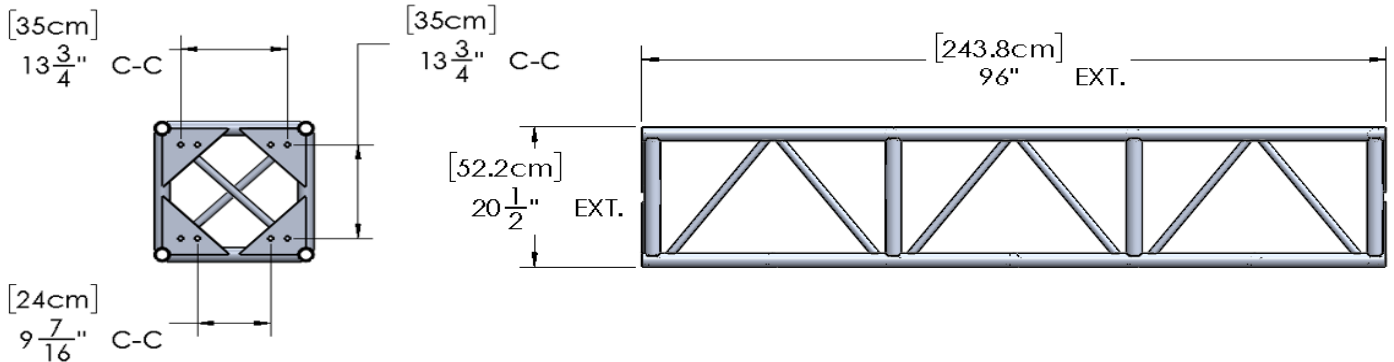
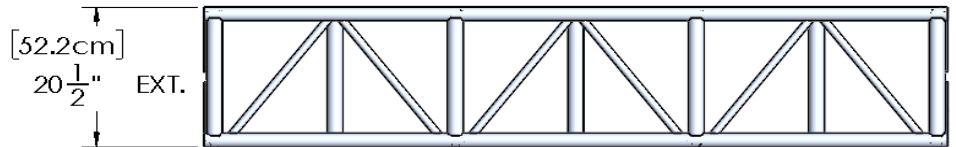


ATTACHMENT :  
Bolt Ø 0.625 Grade 8 / Plated

POUR THERIO INNOVATION INC.



2020-09-03



**MAIN CORD ØEXT. 2.0" x 0.188"**

**SIZES**

**MAIN CORD ØEXT. 1.9" x 0.200"**

WEIGHT Lbs (kg)	ITEMS REFERENCES	Length	ITEMS REFERENCES	WEIGHT Lbs (kg)
48 (22)	TIT- 2020 - 48 P.2_188	← 48" →	TIT- 2020 - 48 P.9_200	48 (22)
60 (27)	TIT- 2020 - 60 P.2_188	← 60" →	TIT- 2020 - 60 P.9_200	60 (27)
95 (43)	TIT- 2020 - 96 P.2_188	← 96" →	TIT- 2020 - 96 P.9_200	95 (43)
119 (54)	TIT- 2020 - 120 P.2_188	← 120" →	TIT- 2020 - 120 P.9_200	119 (54)

Other sizes also available in 24" / 36" / 72" / 84"

MATERIAL Truss & Plates: extruded aluminum 6061-T6 / Bolts: Grade 8  
 ALL OUR TRUSSES ARE MANUFACTURED BY CERTIFIED WELDERS



**ALLOWABLE LOAD TABLE :**

		Uniformly Distributed Load 				Center point 				Third point 				Quarter point 			
<b>Span length</b>		<b>Load Capacity</b>				<b>Deflection</b>		<b>Load Capacity</b>		<b>Deflection</b>		<b>Load Capacity</b>		<b>Deflection</b>			
<i>ft</i>	<i>(m)</i>	<i>lb/ft</i>	<i>(kg/m)</i>	<i>lb</i>	<i>(kg)</i>	<i>in</i>	<i>(mm)</i>	<i>lb</i>	<i>(kg)</i>	<i>in</i>	<i>(mm)</i>	<i>lb</i>	<i>(kg)</i>	<i>in</i>	<i>(mm)</i>		
8	(2.44)	440	(655)	3524	(1598)	0.01	(0.3)	2072	(940)	0.01	(0.3)	1857	(842)	0.02	(0.4)		
10	(3.05)	311	(464)	3115	(1413)	0.02	(0.5)	1788	(811)	0.02	(0.4)	1542	(699)	0.03	(0.6)		
16	(4.88)	214	(319)	3430	(1556)	0.09	(2.2)	3112	(1412)	0.12	(3.2)	2301	(1044)	0.16	(4)		
20	(6.1)	150	(223)	2997	(1359)	0.15	(3.9)	3050	(1384)	0.24	(6.1)	2041	(926)	0.27	(6.9)		
24	(7.32)	138	(205)	3301	(1497)	0.29	(7.4)	2498	(1133)	0.35	(8.9)	1874	(850)	0.44	(11.2)		
30	(9.14)	94	(139)	2807	(1273)	0.50	(12.8)	1934	(877)	0.55	(14)	1451	(658)	0.69	(17.4)		
32	(9.75)	97	(144)	3100	(1406)	0.67	(17.1)	1790	(812)	0.63	(15.9)	1343	(609)	0.78	(19.8)		
40	(12.19)	63	(94)	2526	(1146)	1.13	(28.8)	1346	(611)	0.99	(25.2)	1010	(458)	1.22	(30.9)		
48	(14.63)	43	(64)	2069	(939)	1.72	(43.7)	1035	(469)	1.45	(36.9)	776	(352)	1.75	(44.5)		
50	(15.24)	39	(58)	1940	(880)	1.87	(47.5)	970	(440)	1.58	(40.2)	727	(330)	1.90	(48.3)		

*Load per applied point*

**NOTES :**

- Capacities shown in this table are valid for structures manufactured after January 2020.
- Trusses must be loaded uniformly on both sides of their longitudinal axis.
- Loads must be applied to or as close as possible to the nodes of the trusses.
- Deflection of truss is theoretical and based solely on their rigidity.  
It therefore does not take into account of the possible movement between the truss sections due to the tolerance of the pins.
- Datas are valid for indoor use only.
- Trusses are hung from the top chord only.
- Data are valid only for static loads and span, with two support points (one at each end).  
If dynamic loads or more attachment points are needed, contact Therio Innovation.



2020-09-03