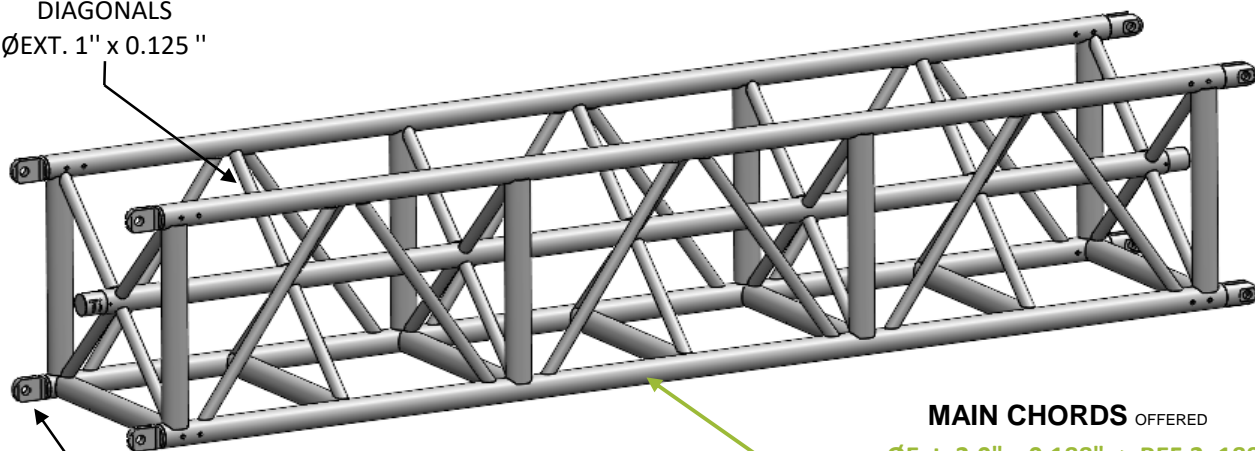


DIAGONALS
ØEXT. 1" x 0.125 "

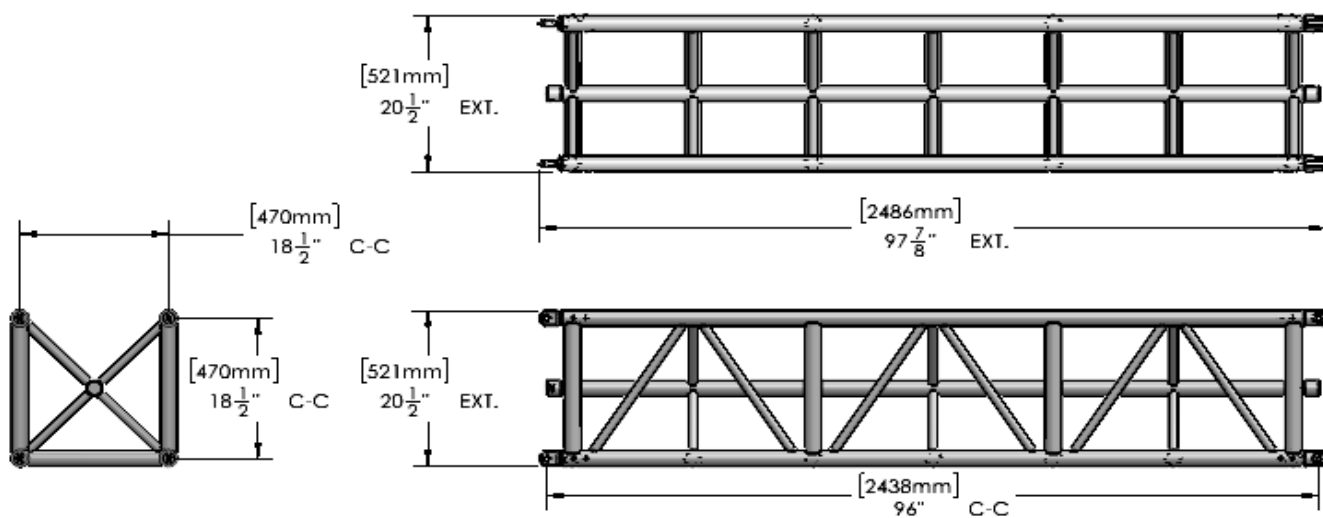


Attachement:
Pin Ø3/4" / Spigots

MAIN CHORDS OFFERED

ØExt. 2.0" x 0.188" -> REF.2_188

ØExt. 1.9" x 0.200" -> REF.9_200



SIZES

MAIN CHORDS Ø2.0 x 0.188

MAIN CHORDS Ø1.9 x .200

WEIGHT Lbs (kg)	ITEMS REFERENCES	Length	ITEMS REFERENCES	WEIGHT Lbs (kg)
60 (27)	TIV- 2020 -048 F.2_188	<- 48" ->	TIV- 2020 -048 F.9_200	60 (27)
76 (34)	TIV- 2020 -060 F.2_188	<- 60" ->	TIV- 2020 -060 F.9_200	76 (34)
105 (48)	TIV- 2020 -096 F.2_188	<- 96" ->	TIV- 2020 -096 F.9_200	105 (48)
128 (58)	TIV- 2020 -120 F.2_188	<- 120" ->	TIV- 2020 -120 F.9_200	128 (58)

Other sizes also available in 24" / 36" / 72" /84"

Material: Truss: 6061-T6 / Spigots: C12L14 / Pin: Stressproof 1144

ALL OUR TRUSSES ARE MANUFACTURED BY CERTIFIED WELDERS

Tel : 514-400-3336

info@therioinnovation.com



ALLOWABLE LOAD TABLE :

Span length ft (m)	Uniformly Distributed Load				Center point				Third point				Quarter point			
	Load Capacity		Deflection		Load Capacity		Deflection		Load Capacity		Deflection		Load Capacity		Deflection	
lb/ft (kg/m)	lb (kg)	in (mm)		lb (kg)	in (mm)	lb (kg)	in (mm)	lb (kg)	in (mm)	lb (kg)	in (mm)	lb (kg)	in (mm)	lb (kg)	in (mm)	
8 (2.44)	911 (1356)	7288 (3306)	0.02 (0.6)	7288 (3306)	0.04 (0.9)	3655 (1658)	0.03 (0.8)	2437 (1105)	0.03 (0.7)							
10 (3.05)	725 (1079)	7249 (3288)	0.04 (1.1)	7249 (3288)	0.07 (1.8)	3642 (1652)	0.06 (1.5)	2428 (1101)	0.06 (1.4)							
16 (4.88)	443 (659)	7086 (3214)	0.18 (4.5)	5504 (2497)	0.22 (5.6)	3587 (1627)	0.24 (6.2)	2391 (1085)	0.23 (5.7)							
20 (6.1)	347 (516)	6937 (3146)	0.34 (8.7)	4356 (1976)	0.34 (8.7)	3267 (1482)	0.44 (11.1)	2178 (988)	0.41 (10.3)							
24 (7.32)	282 (419)	6760 (3066)	0.58 (14.8)	3582 (1625)	0.50 (12.6)	2686 (1218)	0.63 (15.9)	1791 (812)	0.58 (14.9)							
30 (9.14)	186 (277)	5588 (2535)	0.96 (24.4)	2794 (1267)	0.78 (19.8)	2096 (951)	0.98 (24.9)	1397 (634)	0.92 (23.2)							
32 (9.75)	162 (241)	5188 (2353)	1.09 (27.7)	2594 (1177)	0.89 (22.6)	1945 (882)	1.11 (28.3)	1297 (588)	1.04 (26.5)							
40 (12.19)	99 (147)	3960 (1796)	1.71 (43.3)	1980 (898)	1.41 (35.7)	1485 (674)	1.74 (44.2)	990 (449)	1.63 (41.4)							
48 (14.63)	65 (96)	3107 (1409)	2.46 (62.4)	1554 (705)	2.05 (52.1)	1165 (529)	2.50 (63.6)	777 (352)	2.36 (59.8)							
50 (15.24)	59 (87)	2931 (1330)	2.67 (67.7)	1466 (665)	2.23 (56.7)	1099 (499)	2.72 (69)	733 (332)	2.56 (65)							

Load per applied point

NOTES :

- Capacities shown in this table are valid for structures manufactured after January 2020.
- Trusses must be loaded uniformly on both sides of their longitudinal axis.
- Loads must be applied to or as close as possible to the nodes of the trusses.
- Deflection of truss is theoretical and based solely on their rigidity.
It therefore does not take into account of the possible movement between the truss sections due to the tolerance of the pins/bolts.
- Datas are valid for indoor use only.
- Trusses are hung from the top chord only.
- Data are valid only for static loads and span, with two support points (one at each end).
If dynamic loads or more attachment points are needed, **contact Therio Innovation.**