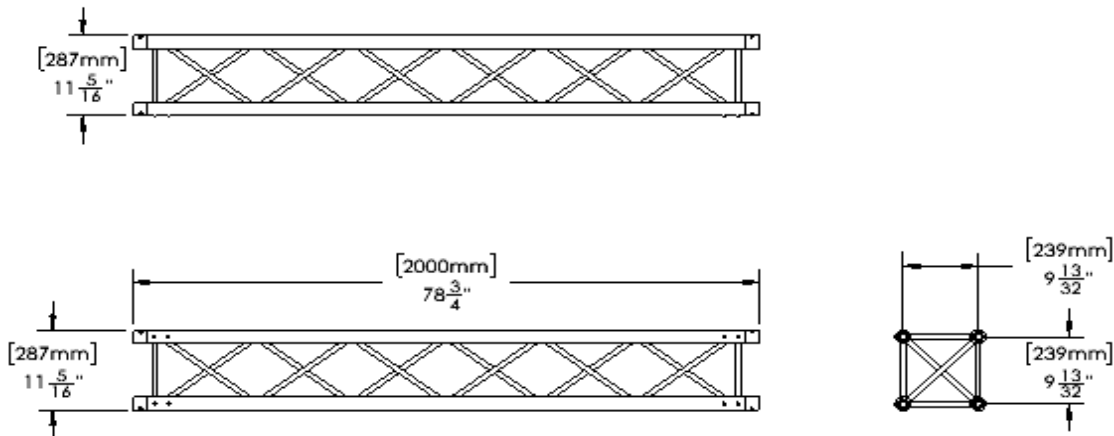


**MAIN CHORDS OFFERED**  
 ØExt. 2.0" x 0.125" -> REF.2\_125  
 ØExt. 1.9" x 0.145" -> REF.9\_145

Attachement:  
Pin ØM8 / Conical



		<b>MAIN CHORDS Ø2.0 x 0.125</b>		<u>SIZES</u>	<b>MAIN CHORDS Ø1.9 x 0.145</b>			
WEIGHT		ITEMS	REFERENCES	Length	ITEMS	REFERENCES	WEIGHT	
Lbs	(kg)						Lbs	(kg)
12	(5)	TII- M3030 -050	C.2_125	<- 0.50 m ->	TII- M3030 -050	C.9_145	12	(5)
23	(11)	TII- M3030 -100	C.2_125	<- 1.00 m ->	TII- M3030 -100	C.9_145	23	(11)
38	(17)	TII- M3030 -200	C.2_125	<- 2.00 m ->	TII- M3030 -200	C.9_145	38	(17)
53	(24)	TII- M3030 -300	C.2_125	<- 3.00 m ->	TII- M3030 -300	C.9_145	53	(24)

Other sizes also available in 0.25m / 1.50m / 2.50m

Material: Truss: 6061-T6 / Conical: 6061-T6 / Pin: Stressproof 1144  
**ALL OUR TRUSSES ARE MANUFACTURED BY CERTIFIED WELDERS**



**ALLOWABLE LOAD TABLE :**

Span length		Uniformly Distributed Load				Center point				Third point				Quarter point					
		Load Capacity		Deflection		Load Capacity		Deflection		Load Capacity		Deflection		Load Capacity		Deflection			
ft	(m)	lb/ft	(kg/m)	lb	(kg)	in	(mm)	lb	(kg)	in	(mm)	lb	(kg)	in	(mm)	lb	(kg)	in	(mm)
9.8	(3)	154	(229)	1514	(687)	0.04	(1.1)	3065	(1390)	0.14	(3.6)	2299	(1043)	0.18	(4.6)	1533	(695)	0.17	(4.3)
13	(4)	349	(519)	4575	(2075)	0.32	(8.1)	2288	(1038)	0.25	(6.5)	1716	(778)	0.32	(8.2)	1144	(519)	0.30	(7.7)
16	(5)	222	(330)	3638	(1650)	0.50	(12.6)	1819	(825)	0.40	(10.1)	1364	(619)	0.51	(12.9)	909	(413)	0.47	(12)
20	(6)	153	(227)	3008	(1364)	0.71	(18.1)	1504	(682)	0.57	(14.6)	1128	(512)	0.73	(18.5)	752	(341)	0.68	(17.2)
23	(7)	111	(166)	2555	(1159)	0.97	(24.7)	1277	(579)	0.78	(19.9)	958	(435)	0.99	(25.2)	639	(290)	0.92	(23.5)
26	(8)	84	(125)	2212	(1003)	1.27	(32.2)	1106	(502)	1.03	(26.1)	829	(376)	1.30	(32.9)	553	(251)	1.21	(30.7)
30	(9)	66	(98)	1942	(881)	1.61	(40.8)	971	(440)	1.30	(33.1)	728	(330)	1.64	(41.6)	486	(220)	1.53	(38.9)
33	(10)	53	(78)	1724	(782)	1.98	(50.3)	862	(391)	1.61	(41)	646	(293)	2.02	(51.4)	431	(195)	1.89	(48)
36	(11)	43	(64)	1543	(700)	2.40	(60.9)	772	(350)	1.96	(49.7)	579	(262)	2.45	(62.2)	386	(175)	2.29	(58.1)
39	(12)	35	(53)	1390	(631)	2.85	(72.5)	695	(315)	2.34	(59.4)	521	(236)	2.91	(73.9)	348	(158)	2.73	(69.2)
43	(13)	30	(44)	1259	(571)	3.35	(85.1)	630	(286)	2.76	(70)	472	(214)	3.42	(86.8)	315	(143)	3.20	(81.3)
46	(14)	25	(37)	1145	(519)	3.88	(98.7)	572	(260)	3.21	(81.6)	429	(195)	3.96	(100.6)	286	(130)	3.72	(94.4)
49	(15)	21	(32)	1044	(474)	4.46	(113.3)	522	(237)	3.705	(94.1)	391	(178)	4.54	(115.4)	261	(118)	4.27	(108.5)
52	(16)	18	(27)	954	(433)	5.07	(128.9)	477	(216)	4.237	(107.6)	358	(162)	5.17	(131.2)	239	(108)	4.86	(123.6)
56	(17)	16	(23)	873	(396)	5.73	(145.5)	437	(198)	4.809	(122.1)	328	(149)	5.83	(148.1)	218	(99)	5.50	(139.7)
59	(18)	14	(20)	800	(363)	6.42	(163.1)	400	(182)	5.422	(137.7)	300	(136)	6.53	(165.9)	200	(91)	6.17	(156.8)
62	(19)	12	(18)	734	(333)	7.16	(181.7)	367	(166)	6.077	(154.4)	275	(125)	7.28	(184.8)	183	(83)	6.89	(174.9)
66	(20)	10	(15)	672	(305)	7.93	(201.4)	336	(152)	6.776	(172.1)	252	(114)	8.06	(204.6)	168	(76)	7.64	(194.1)
<i>Load per applied point</i>																			

**NOTES :**

- Capacities shown in this table are valid for structures manufactured after January 2020.
  - Trusses must be loaded uniformly on both sides of their longitudinal axis.
  - Loads must be applied to or as close as possible to the nodes of the trusses.
  - Deflection of truss is theoretical and based solely on their rigidity.
- It therefore does not take into account of the possible movement between the truss sections due to the tolerance of the pins/bolts.
- Data is valid for indoor use only.
  - Trusses are hung from the top chord only.
  - Data is valid only for static loads and span, with two support points (one at each end).
- If dynamic loads or more attachment points are needed, **contact Therio Innovation.**

